

These valves are designed to control the flow of steam, nitrogen and air. They guarantee highly accurate process control. The output pressure can be varied by means of remote setting (pressure reduction of the pilot control air).

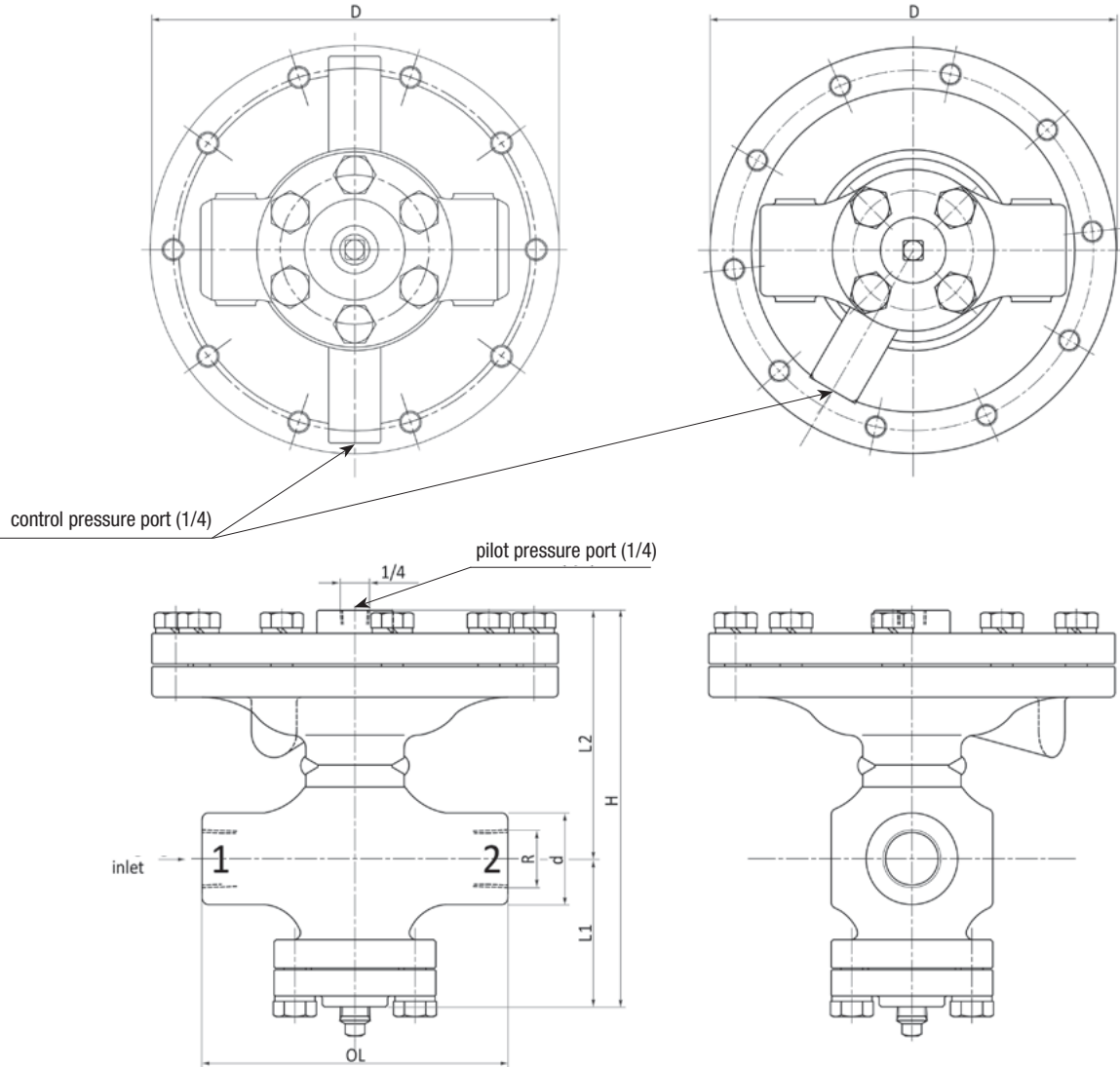
Operating pressure	max. 188 psi
Back pressure	max. 84 psi
Pilot pressure	2,9 - 14,5 psi
Pressure class	300
Temperature range	max + 401°F
Medium	Steam, Nitrogen, Air
Body material	Stainless steel casting
Stem and seat material	Stainless steel
Packing material	Graphite-reinforced Teflon®
Seal type	Graphite-reinforced Teflon®



Dimensions (mm)

SR-2 series BSPT thread

SR-2 series NPT- and PT thread, SR-3 series



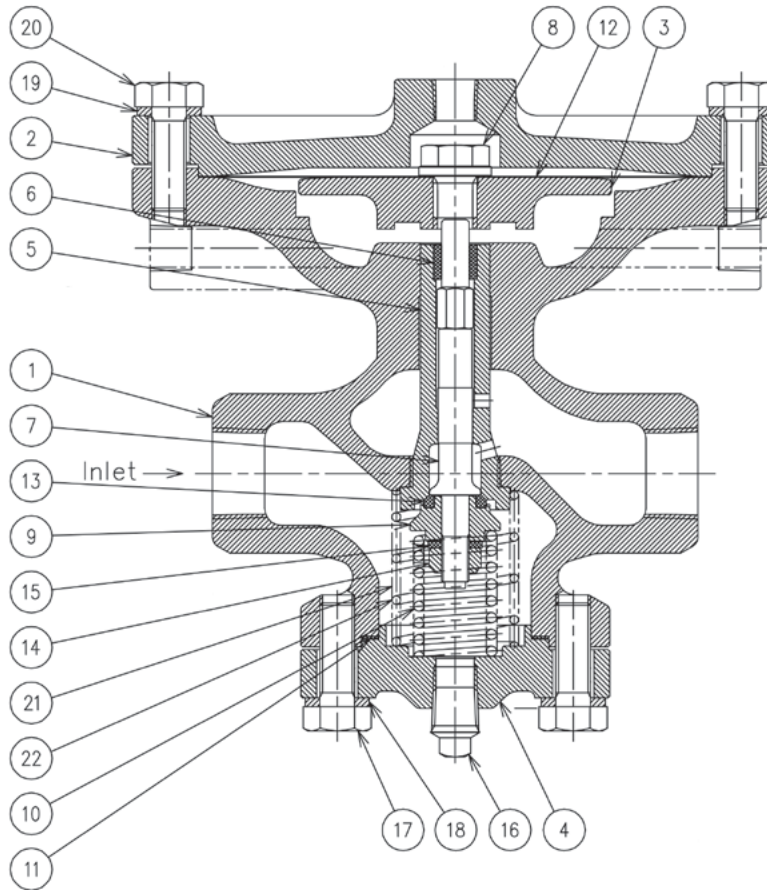
SR Process regulating valve, tapped

Model No.	DN	Internal thread R*	D	d	H	L1	L2	OL	Weight (lbs)
SR-2211-20*	20	3/4"	186	42	181	68	113	140	18.5
SR-2211-25*	25	1"	228	48	205	77	128	165	29.5
SR-3211-20*	20	3/4"	186	46	181	68	113	140	19.0
SR-3211-25*	25	1"	228	52	205	77	128	165	30.2

*Thread type NPT. Valves with BSPT (Rc) according to ISO 7-1 DIN EN 10226/1 or PT thread are available on request. (The dimensions are identical to the standard NPT version.)

Refer to order code on page 35.

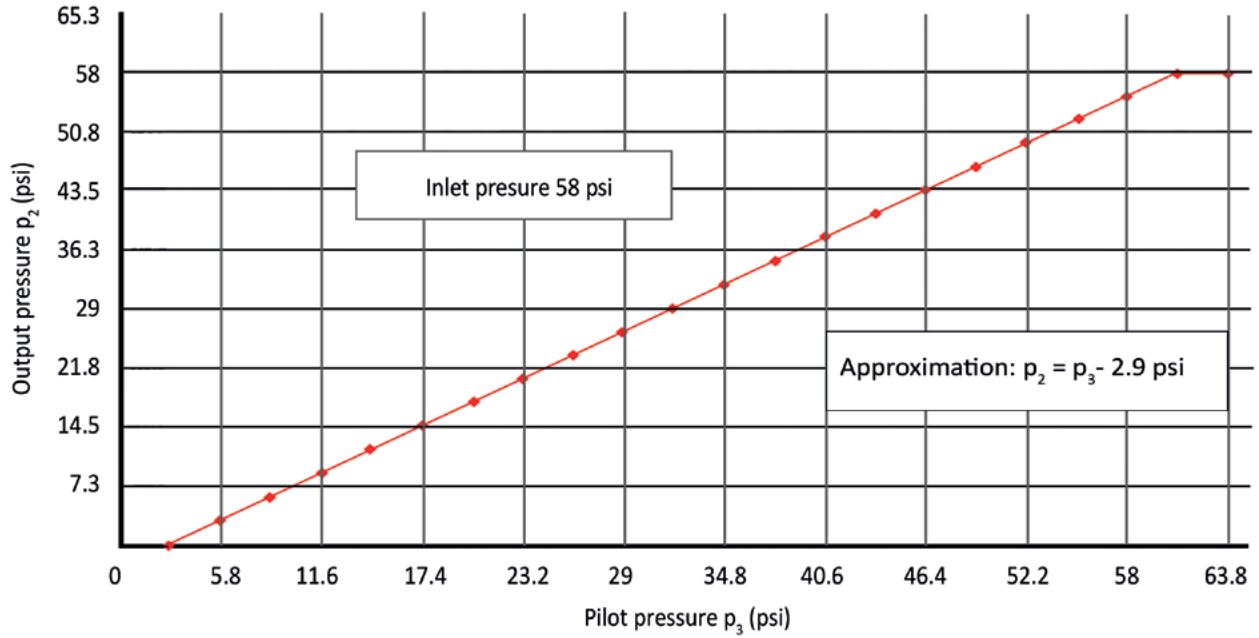
Spare parts



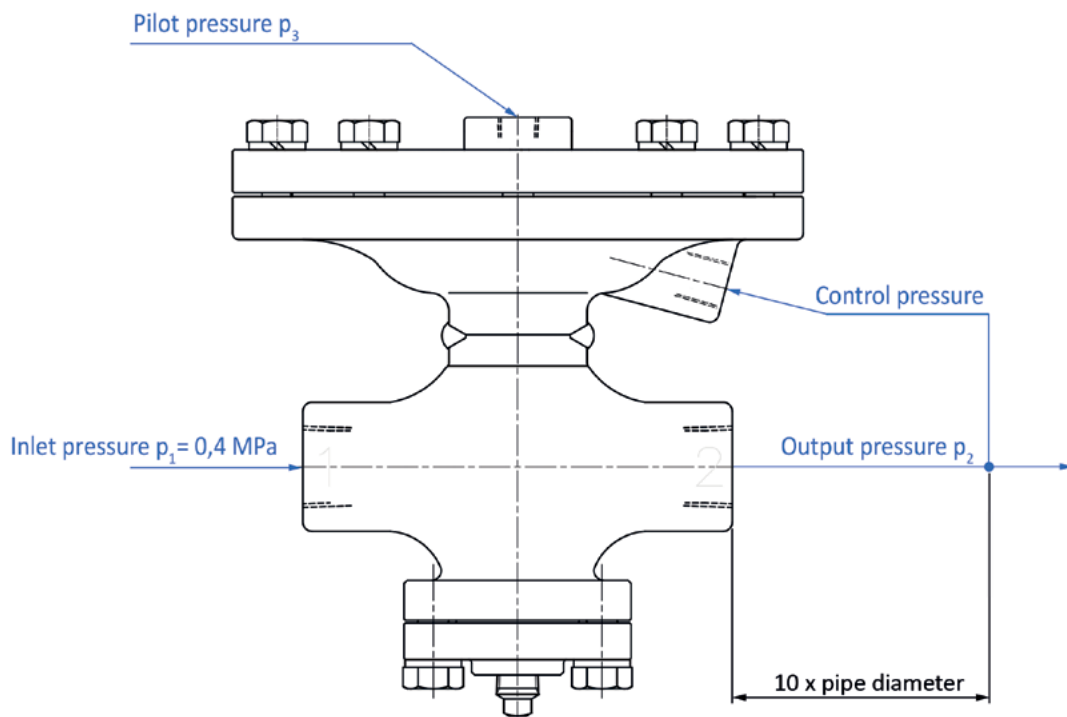
No.	Name	Valve	SR-2111-20*	SR-2111-25*	SR-3111-20*	SR-3111-25*	SR-2212-20D	SR-2212-25D
1	Body		R-21120-01*	R-21125-01*	R-31120-01*	R-31125-01*	R-21120-01D	R-21125-01D
2	Cover		R-21120-02*	R-21125-02*	R-21120-02*	R-21125-02*	R-21120-02*	R-21125-02*
3	Diaphragm plate		R-21120-03	R-21125-03	R-21120-03	R-21125-03	R-21120-03	R-21125-03
4	Bottom cover		R-21120-04	R-21125-04	R-31120-04	R-31125-04	R-21120-04	R-21125-04
5	Center seat		R-21120-05	R-21125-05	R-21120-05	R-21125-05	R-21120-05	R-21125-05
6	Guide bushing		R-21120-06	R-21125-06	R-21120-06	R-21125-06	R-21120-06	R-21125-06
7	Center rod		R-21120-07	R-21125-07	R-21120-07	R-21125-07	R-21120-07	R-21125-07
8	Screw		R-21120-08	R-21125-08	R-21120-08	R-21125-08	R-21120-08	R-21125-08
9	Disc adapter		R-21120-09	R-21125-09	R-21120-09	R-21125-09	R-21120-09	R-21125-09
10	Disc spring		R-21120-10	R-21125-10	R-21120-10	R-21125-10	R-21120-10	R-21125-10
11	Gasket		R-21120-11	R-21125-11	R-31120-11	R-31125-11	R-21120-11	R-21125-11
12	Diaphragm (2)		R-21120-12	R-21125-12	R-21120-12	R-21125-12	R-21120-12	R-21125-12
13	Disc ring		R-21120-13	R-21125-13	R-21120-13	R-21125-13	R-21120-13	R-21125-13
14	U-Nut		R-21120-14	R-21125-14	R-21120-14	R-21125-14	R-21120-14	R-21125-14
15	Spring washer		R-21120-15	R-21125-15	R-21120-15	R-21125-15	R-21120-15	R-21125-15
16	Plug		R-21120-16	R-21125-16	R-21120-16	R-21125-16	R-21120-16	R-21125-16
17	Hex head screw		R-21120-17 (4)	R-21125-17 (4)	R-31120-17 (6)	R-31125-17 (6)	R-21120-17 (4)	R-21125-17 (4)
18	Spring washer		R-21120-18 (4)	R-21125-18 (4)	R-21120-18 (6)	R-21125-18 (6)	R-21120-18 (4)	R-21125-18 (4)
19	Spring washer (10)		R-21120-19	R-21125-19	R-21120-19	R-21125-19	R-21120-19	R-21125-19
20	Hex head screw (10)		R-21120-20	R-21125-20	R-21120-20	R-21125-20	R-21120-20	R-21125-20
21	Filter		-	-	R-31120-21	R-31125-21	-	-
22	Filter spring		-	-	R-31120-22	R-31125-22	-	-

* please complete: N = NPT thread, P = PT thread, B = BSPT thread

Ratio between pilot pressure and output pressure



4



Order Code

SR - * 2 1 * - * * *

Series

Body material

- 2 Stainless steel casting
- 3 Cast iron (ductile)

Connection

- 1 Thread
- 2 Flange

Type of thread / flange

- N** NPT thread
- B* BSPT thread
- P* PT thread
- A** ANSI flange
- D* DIN flange
- J* JIS flange

Nominal size

- 20 20 mm
- 25 25 mm

4

* Available on Request. Not a stock item.