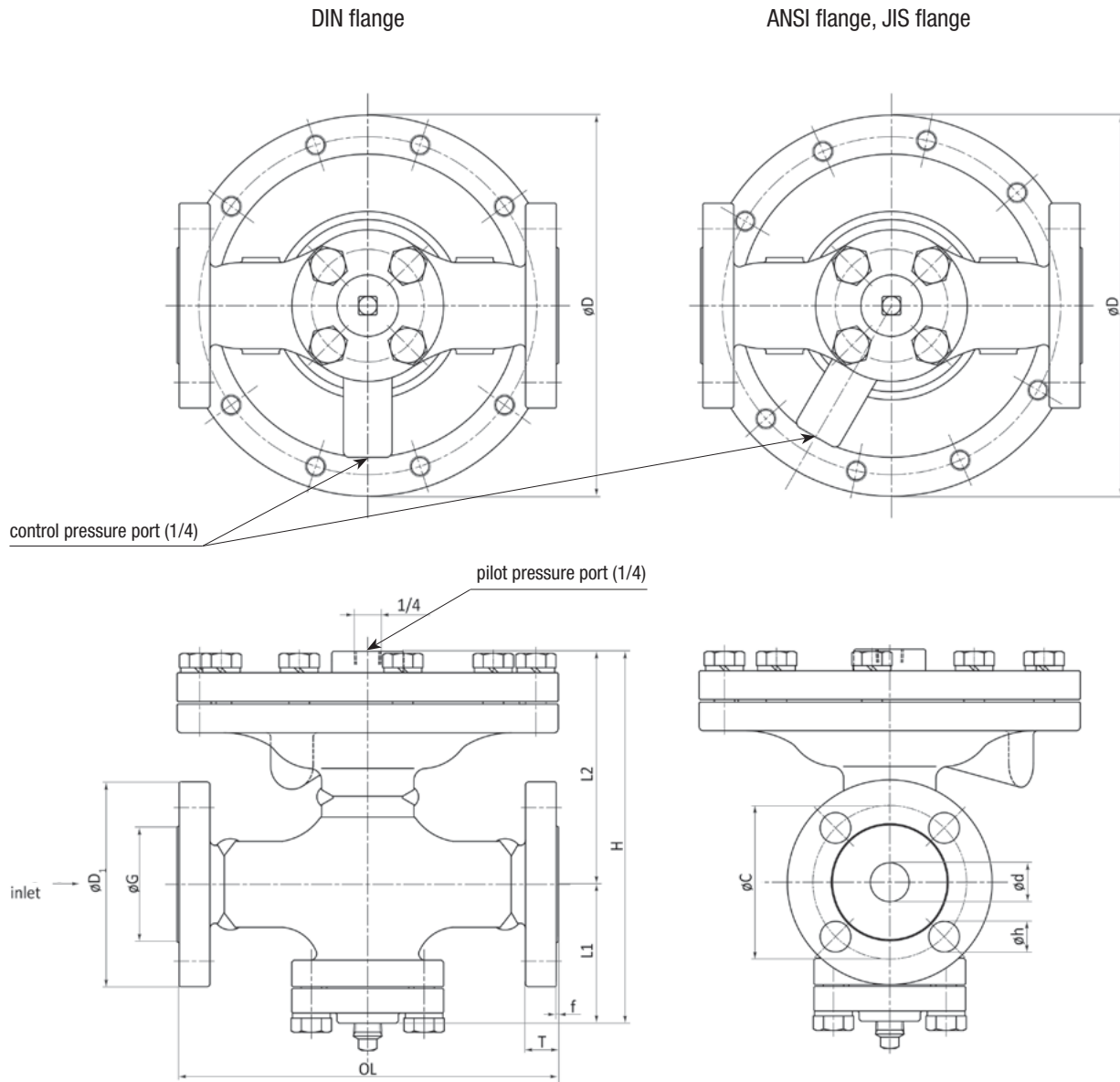


These valves are designed to control the flow of steam, nitrogen and air. They guarantee highly accurate process control. The output pressure can be varied by means of remote setting (pressure reduction of the pilot control air).

Operating pressure	max. 188 psi
Back pressure	max. 84 psi
Pilot pressure	2,9 - 14,5 psi
Pressure class	300
Temperature range	max + 401°F
Medium	Steam, Nitrogen, Air
Body material	Stainless steel casting
Stem and seat material	Stainless steel
Packing material	Graphite-reinforced Teflon®
Seal type	Graphite-reinforced Teflon®



Dimensions (mm)



4

SR Process regulating valve, with flange

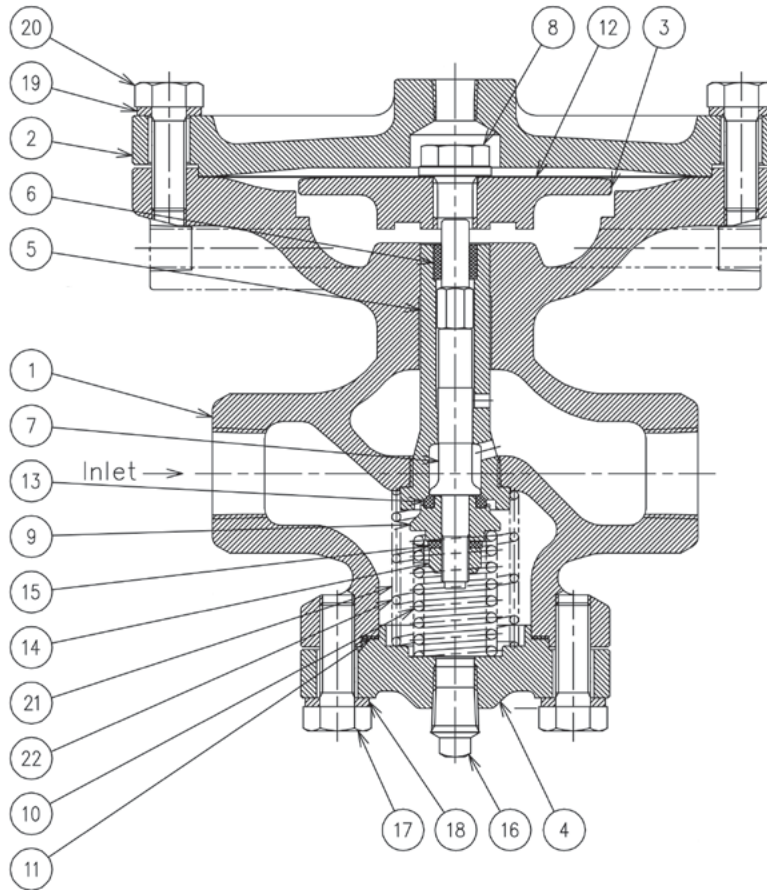
Model No.	DN	D	H	L1	L2	OL (DIN)	OL (ANSI)	OL (JIS)	Weight (lbs)
SR-2212-20A*	20	186	181	68	113	190	190	186	24.3
SR-2212-25A*	25	228	205	77	128	215	215	212	35.7

Dimensions for ANSI flange

DN	D ₁	C	G	T	f	N	h
20	117	82.5	43	16.0	1.6	4	19
25	124	89.0	51	18.0	1.6	4	19

* Also available as version D with DIN flange or J with JIS flange.

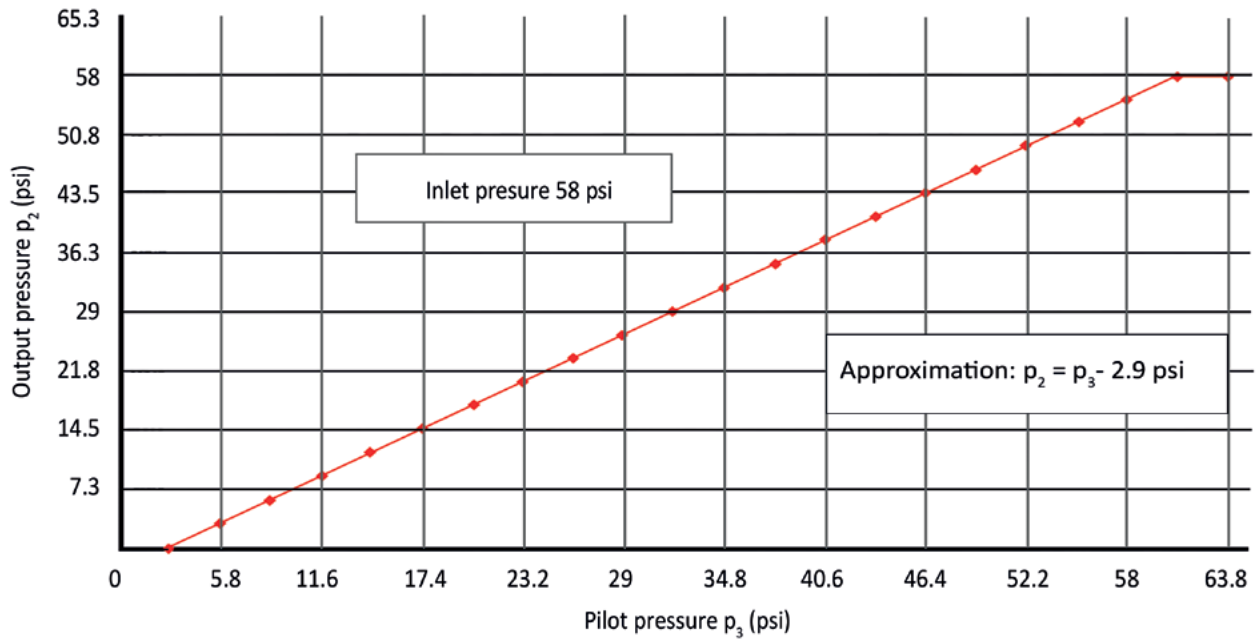
Spare parts



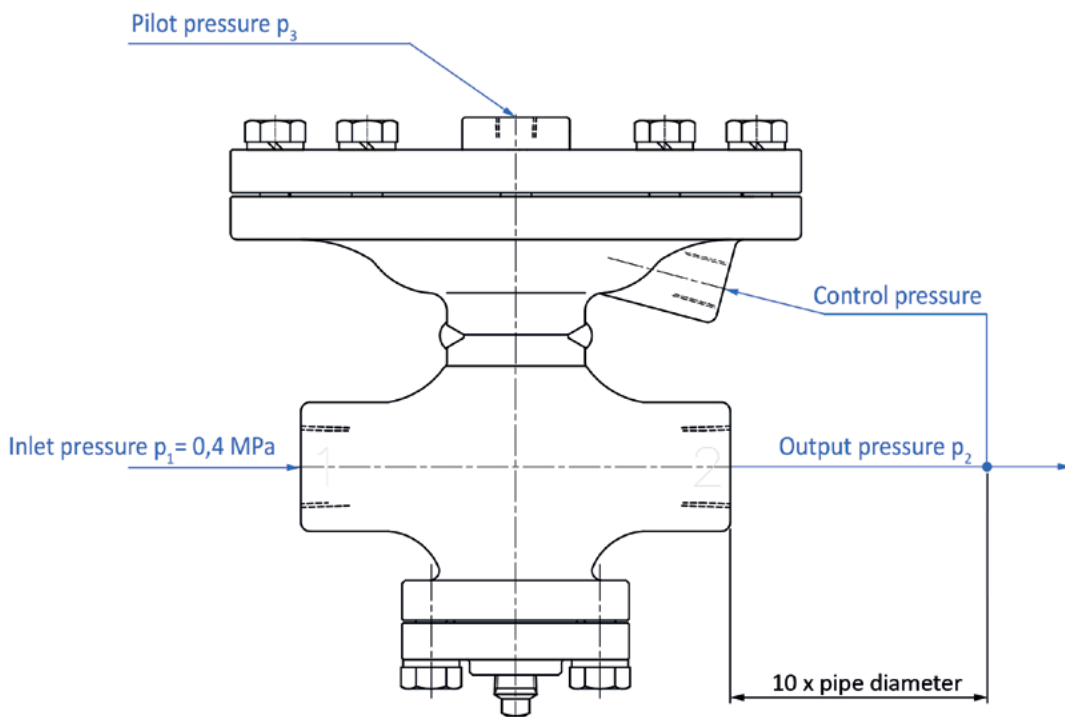
No.	Name	Valve	SR-2111-20*	SR-2111-25*	SR-3111-20*	SR-3111-25*	SR-2212-20D	SR-2212-25D
1	Body		R-21120-01*	R-21125-01*	R-31120-01*	R-31125-01*	R-21120-01D	R-21125-01D
2	Cover		R-21120-02*	R-21125-02*	R-21120-02*	R-21125-02*	R-21120-02*	R-21125-02*
3	Diaphragm plate		R-21120-03	R-21125-03	R-21120-03	R-21125-03	R-21120-03	R-21125-03
4	Bottom cover		R-21120-04	R-21125-04	R-31120-04	R-31125-04	R-21120-04	R-21125-04
5	Center seat		R-21120-05	R-21125-05	R-21120-05	R-21125-05	R-21120-05	R-21125-05
6	Guide bushing		R-21120-06	R-21125-06	R-21120-06	R-21125-06	R-21120-06	R-21125-06
7	Center rod		R-21120-07	R-21125-07	R-21120-07	R-21125-07	R-21120-07	R-21125-07
8	Screw		R-21120-08	R-21125-08	R-21120-08	R-21125-08	R-21120-08	R-21125-08
9	Disc adapter		R-21120-09	R-21125-09	R-21120-09	R-21125-09	R-21120-09	R-21125-09
10	Disc spring		R-21120-10	R-21125-10	R-21120-10	R-21125-10	R-21120-10	R-21125-10
11	Gasket		R-21120-11	R-21125-11	R-31120-11	R-31125-11	R-21120-11	R-21125-11
12	Diaphragm (2)		R-21120-12	R-21125-12	R-21120-12	R-21125-12	R-21120-12	R-21125-12
13	Disc ring		R-21120-13	R-21125-13	R-21120-13	R-21125-13	R-21120-13	R-21125-13
14	U-Nut		R-21120-14	R-21125-14	R-21120-14	R-21125-14	R-21120-14	R-21125-14
15	Spring washer		R-21120-15	R-21125-15	R-21120-15	R-21125-15	R-21120-15	R-21125-15
16	Plug		R-21120-16	R-21125-16	R-21120-16	R-21125-16	R-21120-16	R-21125-16
17	Hex head screw		R-21120-17 (4)	R-21125-17 (4)	R-31120-17 (6)	R-31125-17 (6)	R-21120-17 (4)	R-21125-17 (4)
18	Spring washer		R-21120-18 (4)	R-21125-18 (4)	R-21120-18 (6)	R-21125-18 (6)	R-21120-18 (4)	R-21125-18 (4)
19	Spring washer (10)		R-21120-19	R-21125-19	R-21120-19	R-21125-19	R-21120-19	R-21125-19
20	Hex head screw (10)		R-21120-20	R-21125-20	R-21120-20	R-21125-20	R-21120-20	R-21125-20
21	Filter		-	-	R-31120-21	R-31125-21	-	-
22	Filter spring		-	-	R-31120-22	R-31125-22	-	-

* please complete: N = NPT thread, P = PT thread, B = BSPT thread

Ratio between pilot pressure and output pressure



4



Order Code

SR - * 2 1 * - * * *

Series

Body material

- 2 Stainless steel casting
- 3 Cast iron (ductile)

Connection

- 1 Thread
- 2 Flange

Type of thread / flange

- N** NPT thread
- B* BSPT thread
- P* PT thread
- A** ANSI flange
- D* DIN flange
- J* JIS flange

Nominal size

- 20 20 mm
- 25 25 mm

4

* Available on Request. Not a stock item.