

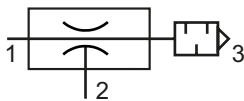
# Series HV

## Technical details

<b>Temperature range</b>	0°C ... +60°C
<b>Medium</b>	Filtered, oil-free and dried compressed air according to ISO 8573-1:2010, Class 7:2:4, instrument air, free of aggressive additives. Alternatively the pressure dew point must be at least 10°C below lowest occurring ambient temperature.
<b>Materials</b>	Body: Al (anodized), silencer: plastic



Vacuum ejectors work according to the Venturi principle. The granulate silencer is part of delivery. The HV series is developed for high vacuum level.



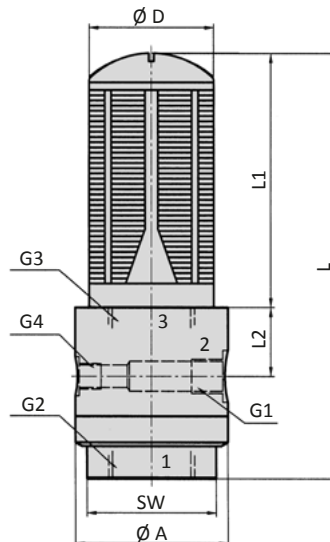
## Technical data

Model-no.:	HV-80	HV-150	HV-300	HV-600
<b>Max. vacuum level (%)</b>	80	85	85	85
<b>Flow rate (l/min)**</b>	10	33	57	77
<b>Air consumption (l/min)*</b>	88	170	350	630
<b>Time to evacuate (s/l)**</b>	1.22	0.42	0.25	0.19
<b>Operating pressure (bar)</b>	3 ... 7	3 ... 7	3 ... 7	3 ... 7
<b>Weight (kg)</b>	0.300	0.300	0.400	0.400

\* at 5 bar operating pressure

\*\* at 60% vacuum level and 5 bar operating pressure

## Dimensions



- 1 = pressure inlet
- 2 = vacuum inlet
- 3 = exhaust

Model-no.:	Ø A	Ø D	G1	G2	G3	G4	L	L1	L2	SW
<b>HV-80</b>	48	24.5	G1/4	G1/2	G1/2	G1/8	109	47	25	40
<b>HV-150</b>	48	24.5	G1/4	G1/2	G1/2	G1/8	109	47	25	40
<b>HV-300</b>	59	48	G1/4	G1	G1	G1/8	163	97	28	50
<b>HV-600</b>	59	48	G1/4	G1	G1	G1/8	163	97	28	50