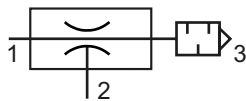


Technical details

Temperature range	0°C ... +60°C
Medium	Filtered, oil-free and dried compressed air according to ISO 8573-1:2010, Class 7:2:4, instrument air, free of aggressive additives. Alternatively the pressure dew point must be at least 10°C below lowest occurring ambient temperature.
Materials	Body: Al (anodized), silencer: plastic



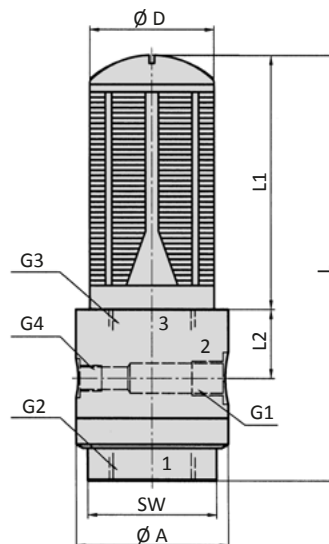
Vacuum ejectors work according to the Venturi principle. The granulate silencer is part of delivery. The HF series is developed for high flow rates.


Technical data

Model-no.:	HF-100	HF-200	HF-300	HF-450	HF-600	HF-1150	HF-1500
Max. vacuum level (%)	75	74	80	78	78	80	68
Flow rate (l/min)**	40	95	135	130	200	407	436
Air consumption (l/min)*	108	220	320	480	650	1250	1600
Time to evacuate (s/l)**	0.180	0.100	0.060	0.016	0.011	0.021	0.021
Operating pressure (bar)	3 ... 7	3 ... 7	3 ... 7	3 ... 7	3 ... 7	3 ... 7	3 ... 7
Weight (kg)	0.240	0.400	0.400	0.400	0.400	0.900	0.900

* at 5 bar operating pressure

** at 40% vacuum level and 5 bar operating pressure

Dimensions


- 1 = pressure inlet
- 2 = vacuum inlet
- 3 = exhaust

Model-no.:	Ø A	Ø D	G1	G2	G3	G4	L	L1	L2	SW
HF-100	48	24.5	G1/4	G1/2	G1/2	G1/8	109	47	25	40
HF-200	59	48	G1/4	G1	G1	G1/8	163	97	28	50
HF-300	59	48	G1/4	G1	G1	G1/8	163	97	28	50
HF-450	59	48	G1/4	G1	G1	G1/8	163	97	28	50
HF-600	59	48	G1/4	G1	G1	G1/8	163	97	28	50
HF-1150	88	64	G3/8	G1½	G2	G1/8	180	90	38	69
HF-1500	88	64	G3/8	G1½	G2	G1/8	180	90	38	69