

## Series BP-01 and BP-02

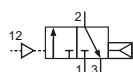
### Technical details

<b>Connection</b>	BP-01: G1/8 BP-02: G1/4
<b>Nominal size</b>	BP-01: 5 mm BP-02: 7 mm
<b>Temperature range</b>	-10°C ... +70°C
<b>Medium</b>	Filtered, oil-free and dried compressed air according to ISO 8573-1:2010, Class 7:2:4, instrument air, free of aggressive additives. Alternatively the pressure dew point must be at least 10°C below lowest occurring ambient temperature.
<b>Materials</b>	Body: Al (anodized), plastic, seals: NBR, PU, inner parts: Al, brass, plastic

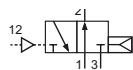


Pneumatically operated pool valve. The valve switches upon pressurization of the pilot port.

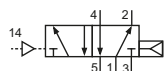
### 3/2- and 5/2-way valves



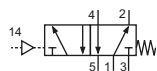
BP-01-310  
BP-02-310  
3/2-way, single pilot, air spring return, NC



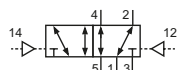
BP-01-312  
BP-02-312  
3/2-way, single pilot, air spring return, NO



BP-01-510  
BP-02-510  
5/2-way, single pilot, air spring return

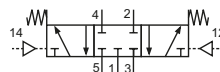


BP-01-511  
BP-02-511  
5/2-way, single pilot, mechanical spring return

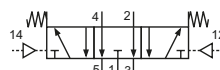


BP-01-520  
BP-02-520  
5/2-way, double pilot

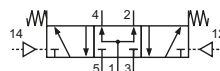
### 5/3-way valves



BP-01-530  
BP-02-530  
5/3-way, center position closed



BP-01-533  
BP-02-533  
5/3-way, center position exhausted



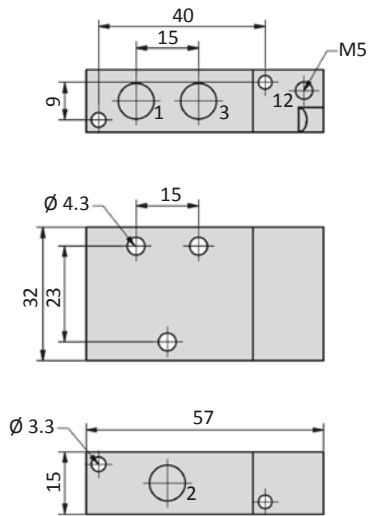
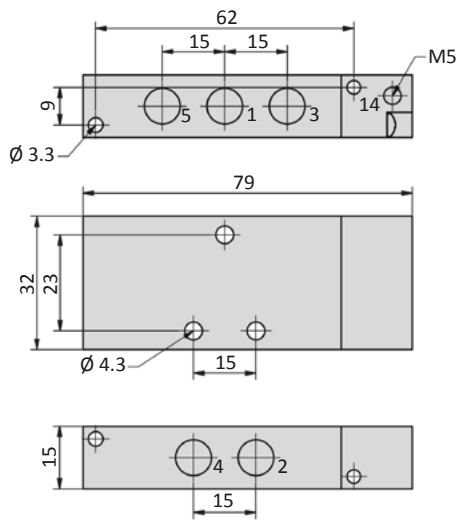
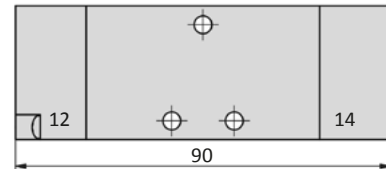
BP-01-534  
BP-02-534  
5/3-way, center position pressurized

### Technical data

Model-no.:	BP-01-310	BP-01-320	BP-02-310	BP-02-312
<b>Operating pressure (bar)</b>	-0.95 ... 8	-0.95 ... 8	-0.95 ... 8	-0.95 ... 8
<b>Pilot pressure (bar)</b>	2 ... 8	2 ... 8	2 ... 8	2 ... 8
<b>Flow rate (NI/min)</b>	660	600	1090	920
<b>Weight (kg)</b>	0.065	0.066	0.125	0.125

Model-no.:	BP-01-510	BP-01-511	BP-01-520	BP-01-530	BP-01-533	BP-01-534
<b>Operating pressure (bar)</b>	-0.95 ... 8	-0.95 ... 8	-0.95 ... 8	-0.95 ... 8	-0.95 ... 8	-0.95 ... 8
<b>Pilot pressure (bar)</b>	2 ... 8	3 ... 8	2 ... 8	3 ... 8	3 ... 8	3 ... 8
<b>Flow rate (NI/min)</b>	780	800	790	690	670	1030
<b>Weight (kg)</b>	0.090	0.092	0.102	0.100	0.100	0.100

Model-no.:	BP-02-510	BP-02-511	BP-02-520	BP-02-530	BP-02-533	BP-02-534
<b>Operating pressure (bar)</b>	-0.95 ... 8	-0.95 ... 8	-0.95 ... 8	-0.95 ... 8	-0.95 ... 8	-0.95 ... 8
<b>Pilot pressure (bar)</b>	2 ... 8	3 ... 8	2 ... 8	3 ... 8	3 ... 8	3 ... 8
<b>Flow rate (NI/min)</b>	1700	1600	1540	1300	1470	1660
<b>Weight (kg)</b>	0.185	0.185	0.210	0.202	0.202	0.202

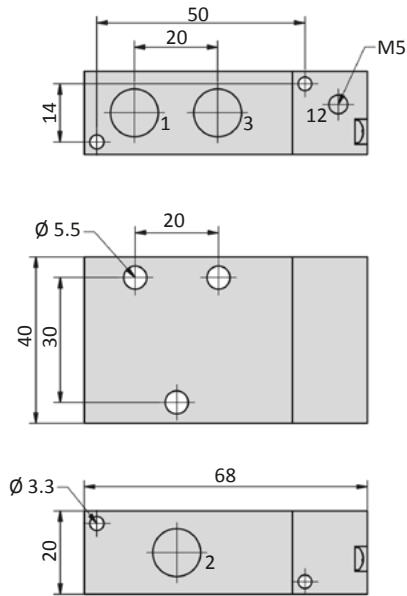
**Dimensions**
**BP-01-31x**

**BP-01-51x**

**BP-01-520, BP-01-53x**


- 1 = pressure inlet
- 2,4 = outlets
- 3,5 = exhausts
- 12,14 = pilot ports

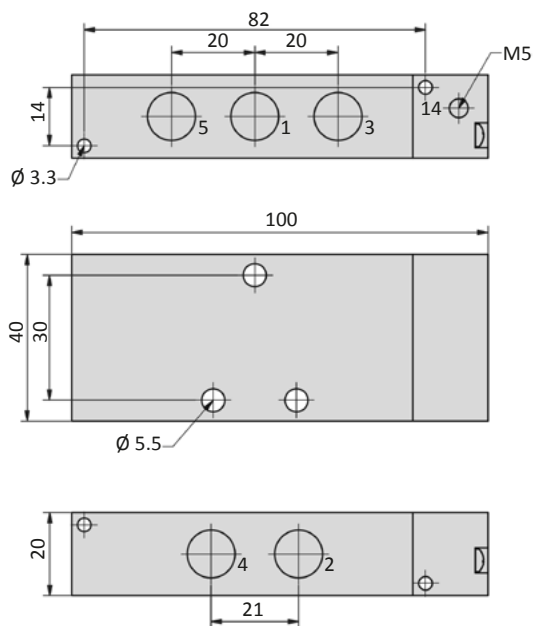
## Series BP-01 and BP-02

### Dimensions

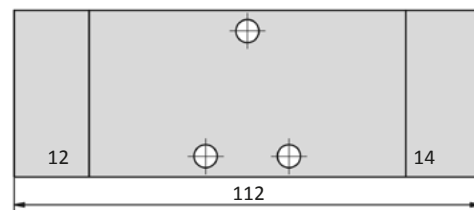
#### BP-02-31x



#### BP-02-51x



#### BP-02-520, BP-02-53x



- 1 = pressure inlet
- 2,4 = outlets
- 3,5 = exhausts
- 12,14 = pilot ports