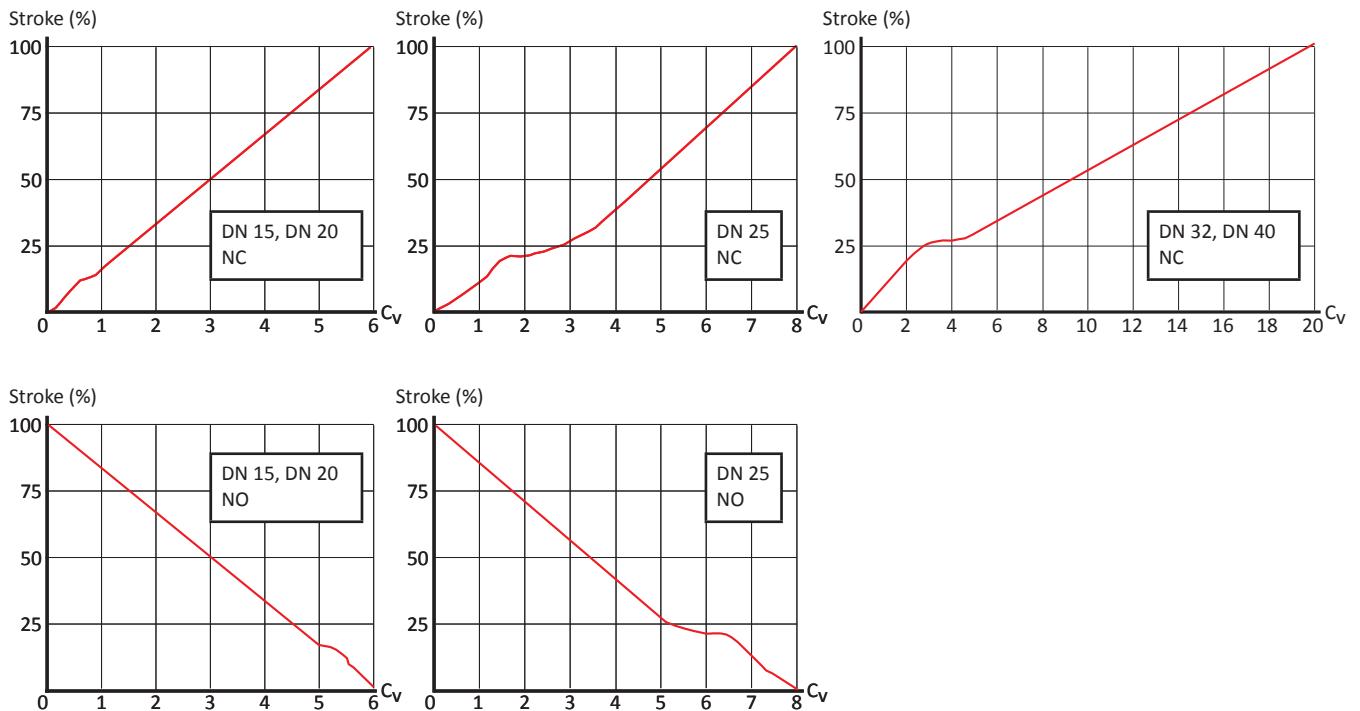


These valves are designed for control the flow of steam, nitrogen and air. They guarantee highly accurate process control. The spring loaded gland packings are self-adjusting.

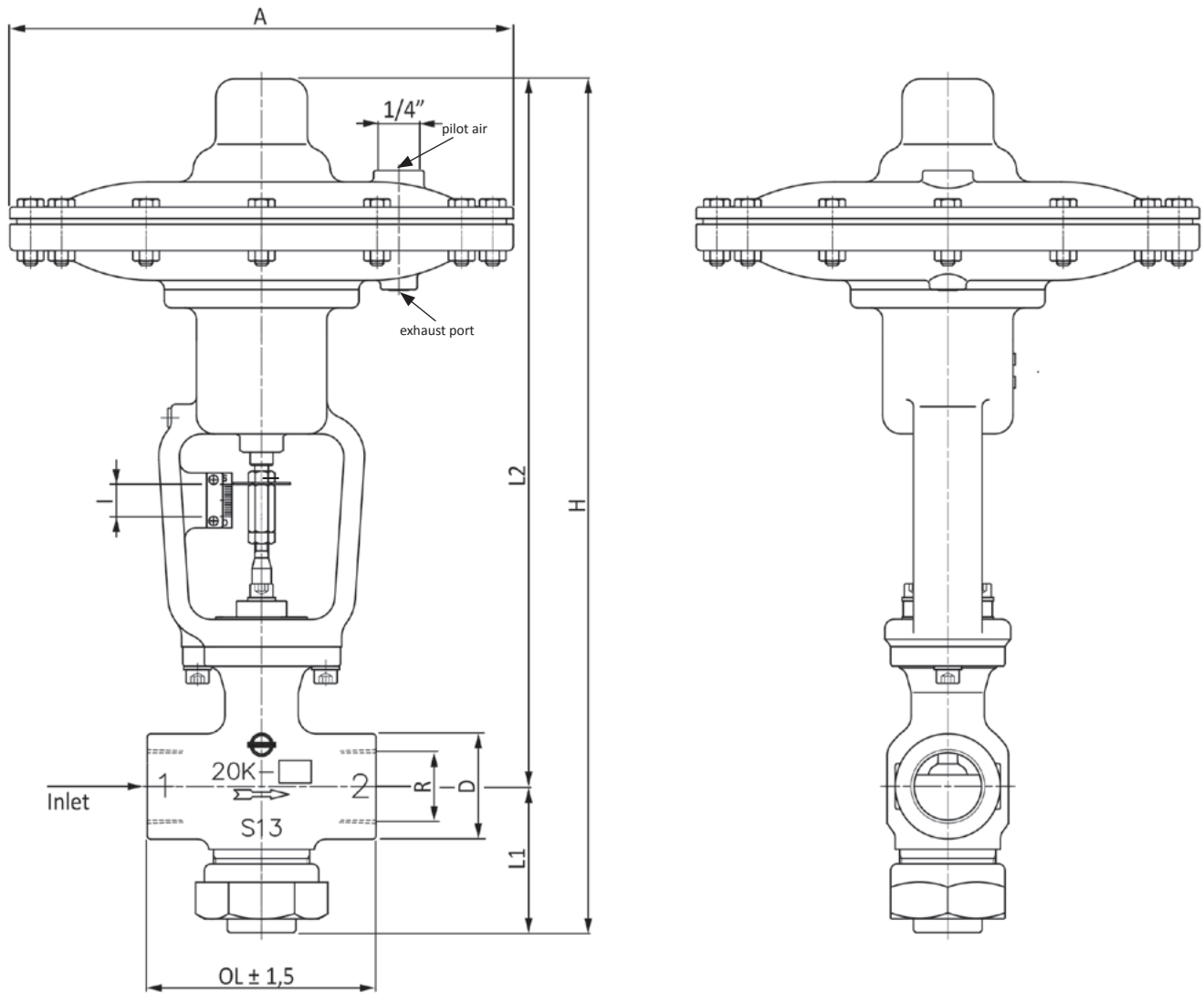
Operating pressure	max. 246 psi
Back pressure	max. 84 psi
Pilot pressure	2.9 - 14.5 psi
Pressure class	300
Temperature range	max + 410°F
Medium	Steam, Nitrogen, Air
Body material	Stainless steel casting
Stem and seat material	Stainless steel
Packing material	Graphite-reinforced Teflon®
Seal type	Metallic seal



**Regulating characteristic**



**Dimensions (mm)**



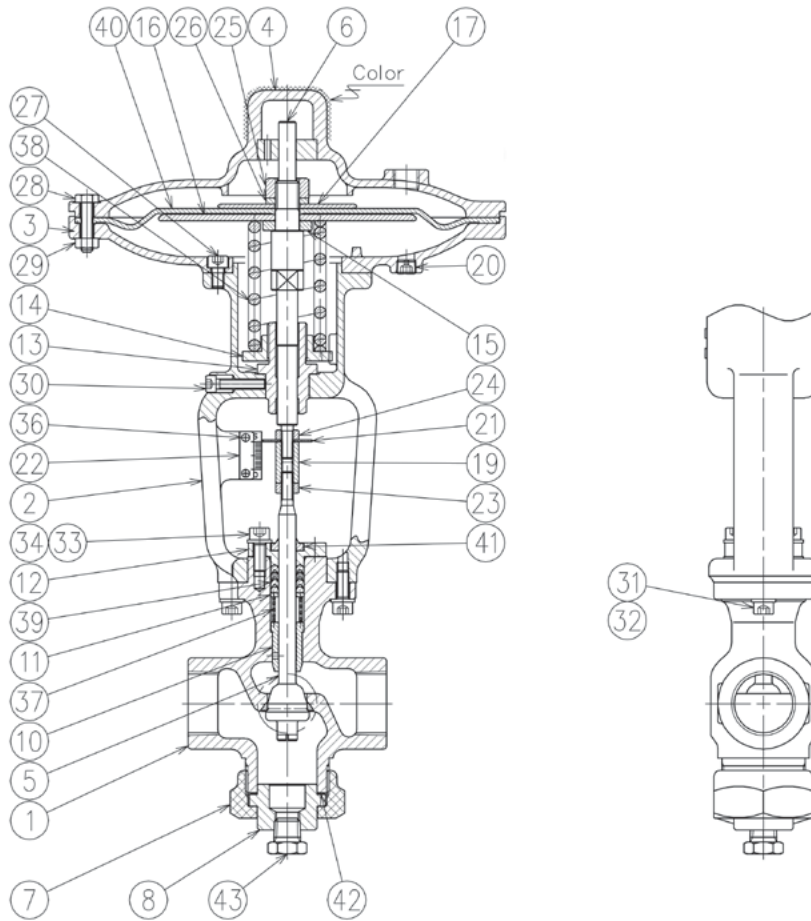
**DC valve, tapped, 2/2-way, NC**

Model No.	DN	Internal thread *	A	D	H	L1	L2	OL	I = Stroke	Weight (lbs)
DC-1211-15N	15	1/2"	220	38	376.5	71.5	305	95	14	16.5
DC-1211-20N	20	3/4"	220	38	376.5	71.5	305	95	14	16.3
DC-1211-25N	25	1"	220	46	385.5	76.5	309	100	14	24.9
DC-1211-32N	32	1 1/4"	282	65	525	94	431	130	18	38.1
DC-1211-40B	40	1 1/2"	282	65	525	94	431	130	18	37.9

\*Thread type NPT. Valves with BSPT (Rc) according to ISO 7-1 DIN EN 10226/1 or PT thread are available on request. (The dimensions are identical to the standard NPT version.)

Refer to order code on page 25 .

Spare parts



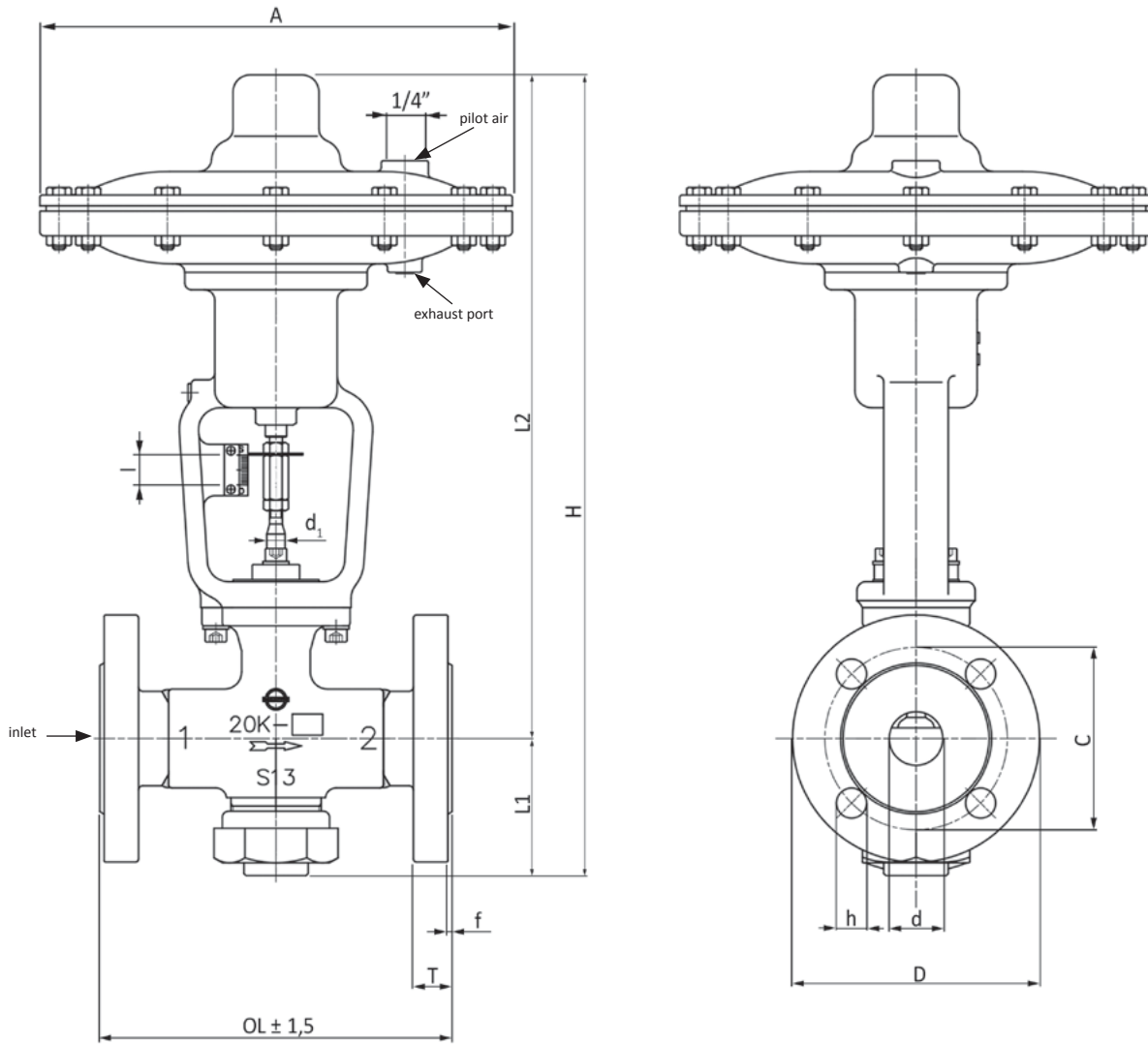
3

No.	Name	Valve	DC-1211-15* DC-1211-20*	DC-1211-25*	DC-1211-32* DC-1211-40*
1	Body		D-21115-01*	D-21125-01*	D-21132-01*
2	Yoke		D-21115-02	D-21125-02	D-21132-02
3	Lower cover		D-21115-03	D-21125-03	D-21132-03
4	Upper cover		D-21115-04*	D-21125-04*	D-21132-04*
5	Stem		D-21115-05	D-21125-05	D-21132-05
6	Diaphragm rod		D-21115-06	D-21125-06	D-21132-06
7	Bottom nut		D-21115-07	D-21125-07	D-21132-07
8	Cover		D-21115-08	D-21125-08	D-21132-08
10	Rod guide		D-21115-10	D-21125-10	D-21132-10
11	Packing washer		D-21115-11	D-21125-11	D-21132-11
12	Gland		D-21115-12	D-21125-12	D-21132-12
13	Adjust rod guide		D-21115-13	D-21125-13	D-21132-13
14	Spring seat		D-21115-14	D-21125-14	D-21132-14
15	Washer		D-21115-15	D-21125-15	D-21132-15
16	Diaphragm lower seat		D-21115-16	D-21125-16	D-21132-16
17	Diaphragm upper seat		D-21115-17	D-21125-17	D-21132-17
19	Join nut		D-21115-19	D-21125-19	D-21132-19
20	Orifice plug		D-21115-20	D-21125-20	D-21132-20
21	Lift gauge ring		D-21115-21	D-21125-21	D-21132-21
22	Lift gauge plate		D-21115-22	D-21125-22	D-21132-22

No.	Name	Valve	DC-1211-15* DC-1211-20*	DC-1211-25*	DC-1211-32* DC-1211-40*
23	Set nut (left)		D-21115-23	D-21125-23	D-21132-23
24	Set nut (right)		D-21115-24	D-21125-24	D-21132-24
25	Nut		D-21115-25	D-21125-25	D-21132-25
26	Spring lock washer		D-21115-26	D-21125-26	D-21132-26
27	Socket cap screw (6)		D-21115-27	D-21125-27	D-21132-27
28	Hexagon head screw (12)		D-21115-28	D-21125-28	D-21132-28
29	Nut (12)		D-21115-29	D-21125-29	D-21132-29
30	Socket cap screw		D-21115-30	D-21125-30	D-21132-30
31	Socket cap screw (2)		D-21115-31	D-21125-31	D-21132-31
32	Spring lock washer (2)		D-21115-32	D-21125-32	D-21132-32
33	Socket cap screw (2)		D-21115-33	D-21125-33	D-21132-33
34	Spring lock washer (2)		D-21115-34	D-21125-34	D-21132-34
36	Driving screw (2)		D-21115-36	D-21125-36	D-21132-36
37	Packing spring		D-21115-37	D-21125-37	D-21132-37
38	Spring		D-21115-38	D-21125-38	D-21132-38
39	Gland packing		D-21115-39	D-21125-39	D-21132-39
40	Diaphragm		D-21115-40	D-21125-40	D-21132-40
41	Dust seal		D-21115-41	D-21125-41	D-21132-41
42	Gasket		D-21115-42	D-21125-42	D-21132-42
43	Plug		D-21115-43	D-21125-43	D-21132-43

\* please complete: N = NPT thread, P = PT thread, B = BSPT thread

**Dimensions (mm)**



**DC valve, with flange, 2/2-way, NC**

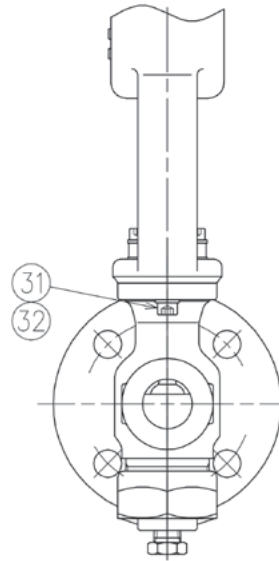
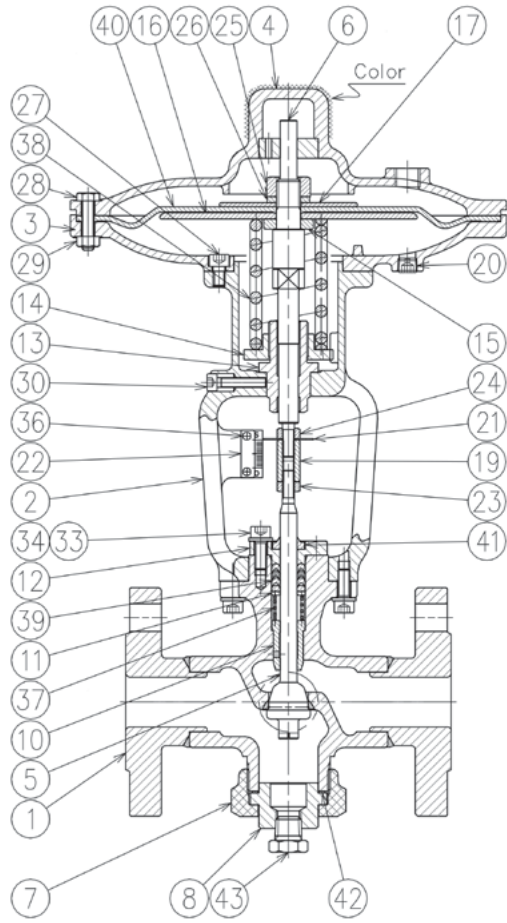
Model No.	DN	A	H	L1	L2	OL (DIN)	OL (ANSI)	OL (JIS)	l = Stroke	Weight (lbs)
DC-1212-15AN	15	220	376.5	71.5	305	154	140	146	14	16.5
DC-1212-20AN	20	220	376.5	71.5	305	154	150	146	14	16.3
DC-1212-25AN	25	220	385.5	76.5	309	164	170	167	14	24.9
DC-1212-32AN	32	282	525	94	431	180	190	190	18	38.1
DC-1212-40AN	40	282	525	94	431	190	200	190	18	37.9

**Dimensions for ANSI flange**

DN	D	C	G	T	f	N	h
15	95	66.5	35	14.5	1.6	4	15
20	117	82.5	43	16.0	1.6	4	19
25	124	89.0	51	18.0	1.6	4	19
32	133	98.5	63.5	19.1	1.6	4	19

\* Also available as version D with DIN flange or J with JIS flange.

Spare parts



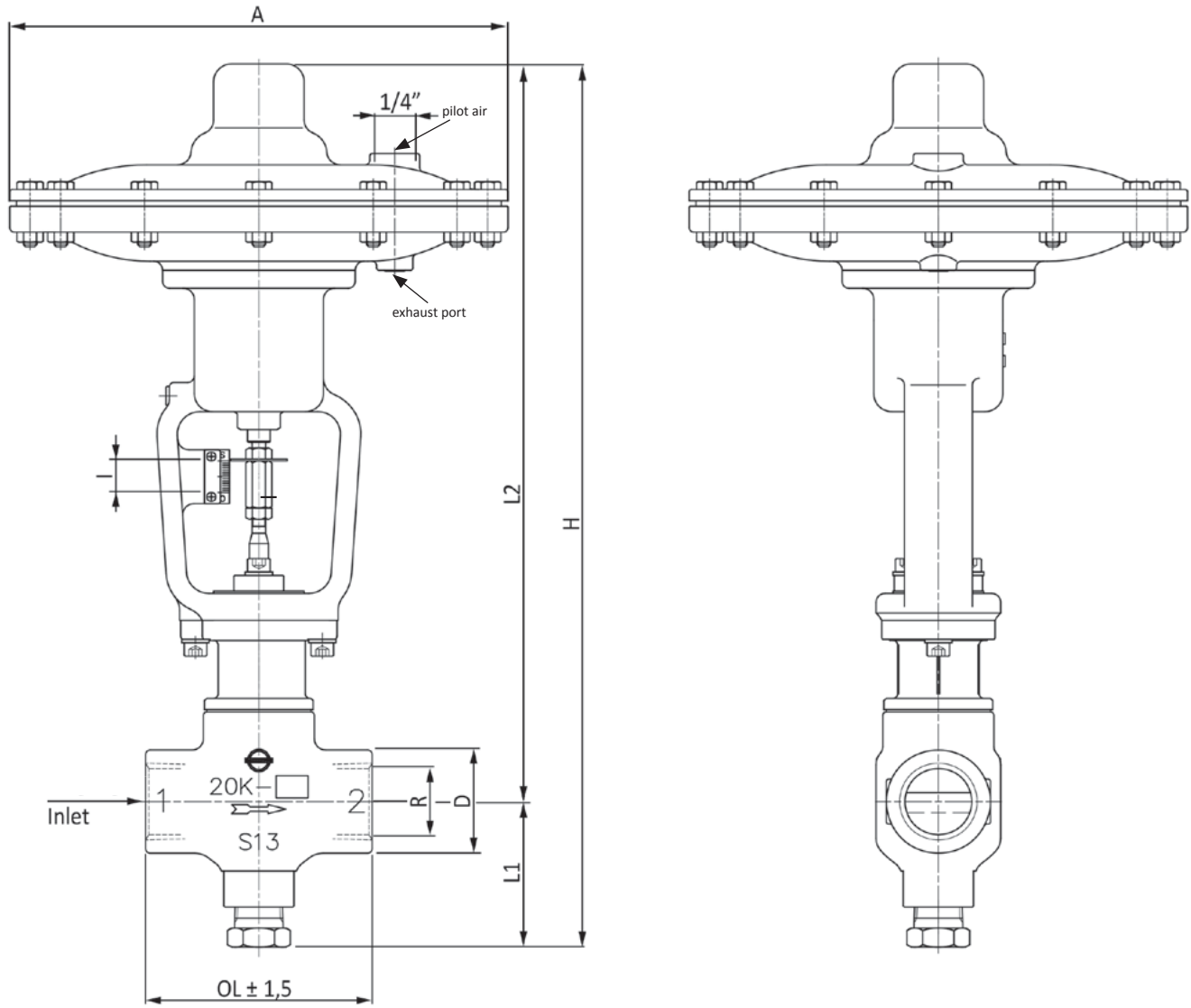
3

No.	Name	Valve	DC-1212-15#* DC-1212-20#*	DC-1212-25#*	DC-1212-32#* DC-1212-40#*
1	Body		D-21215-01#* D-21220-01#*	D-21225-01#*	D-21232-01#* D-21240-01#*
2	Yoke		D-21115-02	D-21125-02	D-21132-02
3	Lower cover		D-21115-03	D-21125-03	D-21132-03
4	Upper cover		D-21115-04*	D-21125-04*	D-21132-04*
5	Stem		D-21115-05	D-21125-05	D-21132-05
6	Diaphragm rod		D-21115-06	D-21125-06	D-21132-06
7	Bottom nut		D-21115-07	D-21125-07	D-21132-07
8	Bottom plug		D-21115-08	D-21125-08	D-21132-08
10	Rod guide		D-21115-10	D-21125-10	D-21132-10
11	Packing washer		D-21115-11	D-21125-11	D-21132-11
12	Gland		D-21115-12	D-21125-12	D-21132-12
13	Adjust rod guide		D-21115-13	D-21125-13	D-21132-13
14	Spring seat		D-21115-14	D-21125-14	D-21132-14
15	Washer		D-21115-15	D-21125-15	D-21132-15
16	Diaphragm lower seat		D-21115-16	D-21125-16	D-21132-16
17	Diaphragm upper seat		D-21115-17	D-21125-17	D-21132-17
19	Join nut		D-21115-19	D-21125-19	D-21132-19
20	Orifice plug		D-21115-20	D-21125-20	D-21132-20
21	Lift gauge ring		D-21115-21	D-21125-21	D-21132-21
22	Lift gauge plate		D-21115-22	D-21125-22	D-21132-22

Nr. No.	No.	Valve	DC-1212-15#* DC-1212-20#*	DC-1212-25#*	DC-1212-32#* DC-1212-40#*
23	Set nut (left)		D-21115-23	D-21125-23	D-21132-23
24	Set nut (right)		D-21115-24	D-21125-24	D-21132-24
25	Nut		D-21115-25	D-21125-25	D-21132-25
26	Spring lock washer		D-21115-26	D-21125-26	D-21132-26
27	Socket cap screw (6)		D-21115-27	D-21125-27	D-21132-27
28	Hexagon head screw (12)		D-21115-28	D-21125-28	D-21132-28
29	Nut (12)		D-21115-29	D-21125-29	D-21132-29
30	Socket cap screw		D-21115-30	D-21125-30	D-21132-30
31	Socket cap screw (2)		D-21115-31	D-21125-31	D-21132-31
32	Spring lock washer (2)		D-21115-32	D-21125-32	D-21132-32
33	Socket cap screw (2)		D-21115-33	D-21125-33	D-21132-33
34	Spring lock washer (2)		D-21115-34	D-21125-34	D-21132-34
36	Driving screw (2)		D-21115-36	D-21125-36	D-21132-36
37	Packing spring		D-21115-37	D-21125-37	D-21132-37
38	Spring		D-21115-38	D-21125-38	D-21132-38
39	Gland packing		D-21115-39	D-21125-39	D-21132-39
40	Diaphragm		D-21115-40	D-21125-40	D-21132-40
41	Dust seal		D-21115-41	D-21125-41	D-21132-41
42	Gasket		D-21115-42	D-21125-42	D-21132-42
43	Plug		D-21115-43	D-21125-43	D-21132-43

# please complete: A = ANSI flange, D = DIN flange, J = JIS flange  
\* please complete: N = NPT thread, P = PT thread, B = BSPT thread

Dimensions (mm)



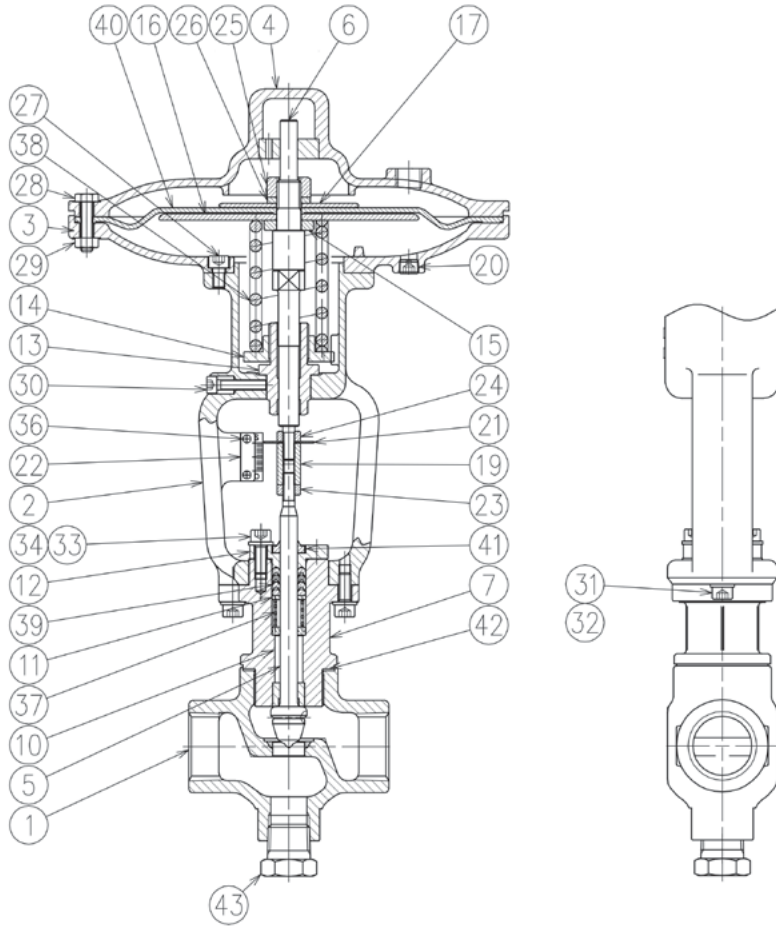
DC valve, tapped, 2/2-way, NO

Model No.	DN	Internal thread *	A	D	H	L1	L2	OL	I = Stroke	Weight (lbs)
DC-1221-15*	15	1/2"	220	38	370.8	48	322.8	95	14	15.4
DC-1221-20*	20	3/4"	220	38	376.5	48	322.8	95	14	15.2
DC-1221-25*	25	1"	220	46	375.8	53	322.8	100	14	23.6

\*Thread type NPT. Valves with BSPT (Rc) according to ISO 7-1 DIN EN 10226/1 or PT thread are available on request. (The dimensions are identical to the standard NPT version.)

Refer to order code on page 25 .

Spare parts



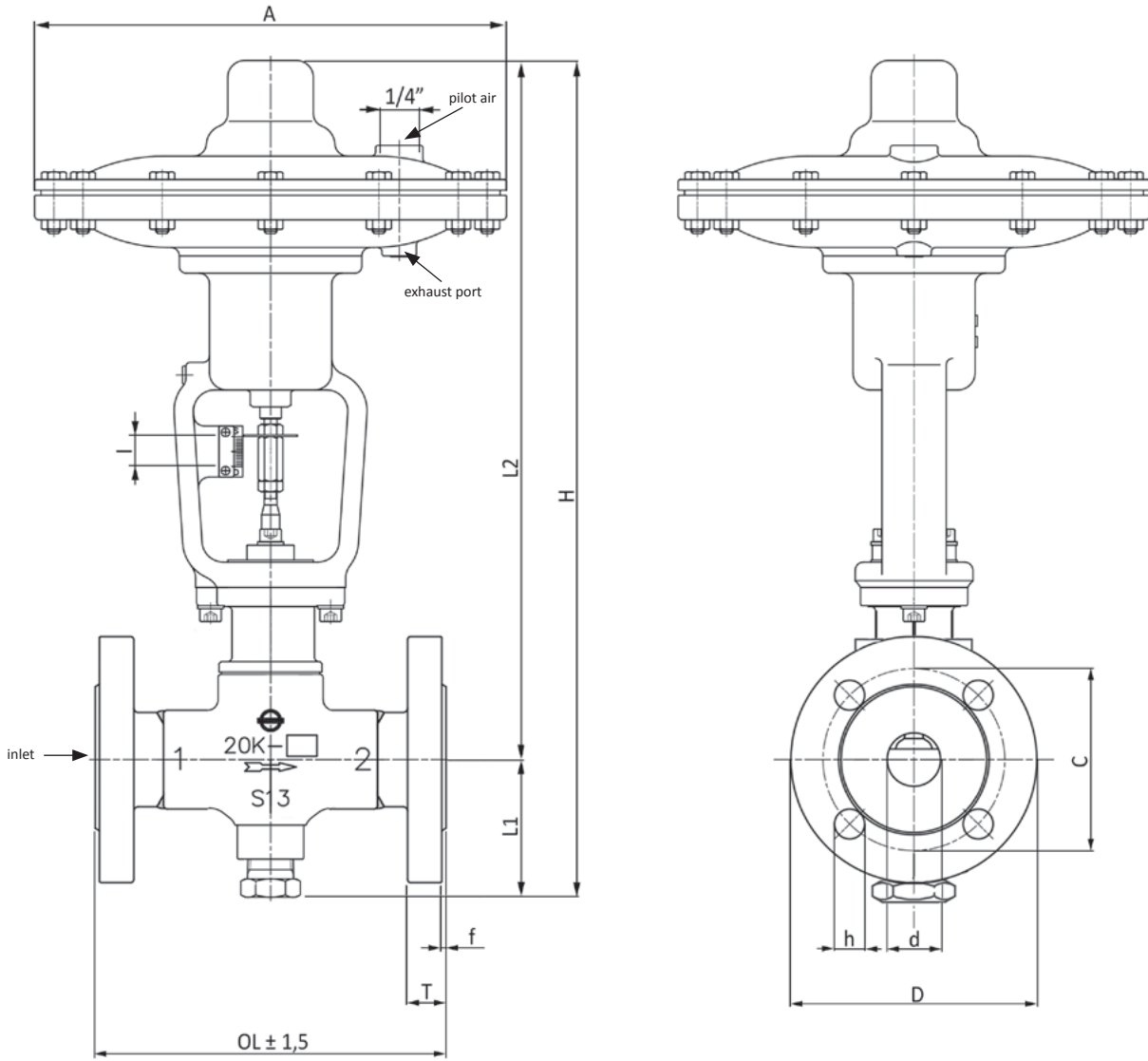
3

No.	Name	Valve	DC-1221-15* DC-1221-20*	DC-1221-25*
1	Body		D-22115-01*	D-22125-01*
			D-22120-01*	
2	Yoke		D-21115-02	D-21125-02
3	Lower cover		D-21115-03	D-21125-03
4	Upper cover		D-21115-04*	D-21125-04*
5	Stem		D-21115-05	D-21125-05
6	Diaphragm rod		D-21115-06	D-21125-06
7	Bonnet		D-21115-07	D-21125-07
10	Rod guide		D-21115-10	D-21125-10
11	Packing washer		D-21115-11	D-21125-11
12	Gland		D-21115-12	D-21125-12
13	Adjust rod guide		D-21115-13	D-21125-13
14	Spring seat		D-21115-14	D-21125-14
15	Washer		D-21115-15	D-21125-15
16	Diaphragm lower seat		D-21115-16	D-21125-16
17	Diaphragm upper seat		D-21115-17	D-21125-17
19	Join nut		D-21115-19	D-21125-19
20	Orifice plug		D-21115-20	D-21125-20
21	Lift gauge ring		D-21115-21	D-21125-21
22	Lift gauge plate		D-21115-22	D-21125-22

No.	Name	Valve	DC-1221-15* DC-1221-20*	DC-1221-25*
23	Set nut (left)		D-21115-23	D-21125-23
24	Set nut (right)		D-21115-24	D-21125-24
25	Nut		D-21115-25	D-21125-25
26	Spring lock washer		D-21115-26	D-21125-26
27	Socket cap screw (6)		D-21115-27	D-21125-27
28	Hexagon head screw (12)		D-21115-28	D-21125-28
29	Nut (12)		D-21115-29	D-21125-29
30	Socket cap screw		D-21115-30	D-21125-30
31	Socket cap screw (2)		D-21115-31	D-21125-31
32	Spring lock washer (2)		D-21115-32	D-21125-32
33	Socket cap screw (2)		D-21115-33	D-21125-33
34	Spring lock washer (2)		D-21115-34	D-21125-34
36	Driving screw (2)		D-21115-36	D-21115-36
37	Packing spring		D-21115-37	D-21125-37
38	Spring		D-21115-38	D-21125-38
39	Gland packing		D-21115-39	D-21125-39
40	Diaphragm		D-21115-40	D-21125-40
41	Dust seal		D-21115-41	D-21125-41
42	Gasket		D-21115-42	D-21125-42
43	Plug		D-22115-43	D-22115-43

\* please complete: N = NPT thread, P = PT thread, B = BSPT thread

**Dimensions (mm)**



**DC valve, with flange, 2/2-way, NO**

Model No.	DN	A	H	L1	L2	OL (DIN)	OL (ANSI)	OL (JIS)	l = Stroke	Weight (lbs)
DC-1222-15AN	15	220	378.5	54.7	323.8	154	150	154	14	20.1
DC-1222-20AN	20	220	378.5	54.7	323.8	154	162	154	14	21.2
DC-1222-25AN	25	220	393.6	64.8	328.8	164	163	164	14	22.9

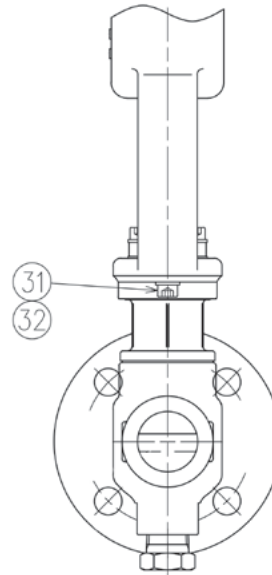
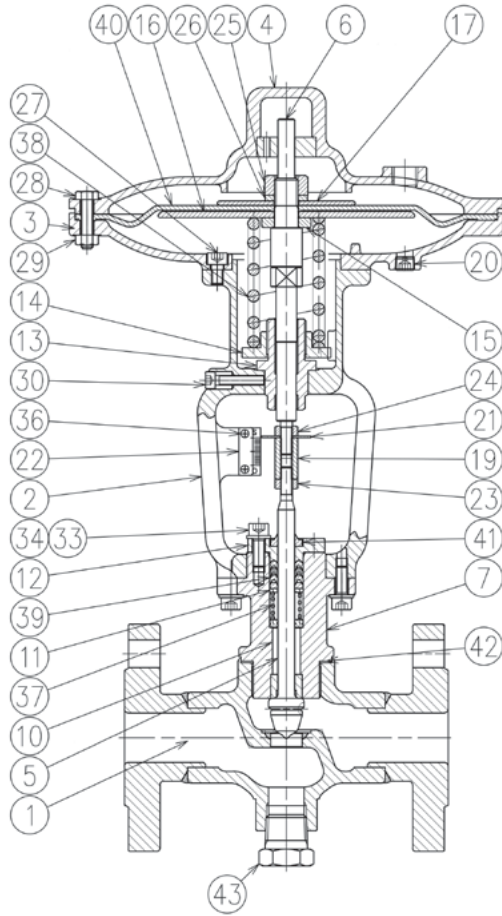
**Dimensions for ANSI flange**

DN	D	C	G	T	f	N	h
15	95	66.5	35	14.5	1.6	4	15
20	117	82.5	43	16.0	1.6	4	19
25	124	89.0	51	18.0	1.6	4	19

\* Also available as version D with DIN flange or J with JIS flange.



Spare parts



3

No.	Name	Valve	DC-1222-15#*	DC-1222-20#*	DC-1222-25#*
1	Body		D-22115-01#*	D-22120-01#*	D-22125-01#*
2	Yoke		D-21115-02	D-21115-02	D-21125-02
3	Lower cover		D-21115-03	D-21115-03	D-21125-03
4	Upper cover		D-21115-04*	D-21115-04*	D-21125-04*
5	Stem		D-22115-05	D-22115-05	D-22125-05
6	Diaphragm rod		D-21115-06	D-21115-06	D-21125-06
7	Bonnet		D-22115-07	D-22115-07	D-22125-07
8	Bottom plug		D-21115-08	D-21115-08	D-21125-08
10	Rod guide		D-21115-10	D-21115-10	D-21125-10
11	Packing washer		D-21115-11	D-21115-11	D-21125-11
12	Gland		D-21115-12	D-21115-12	D-21125-12
13	Adjust rod guide		D-21115-13	D-21115-13	D-21125-13
14	Spring seat		D-21115-14	D-21115-14	D-21125-14
15	Washer		D-21115-15	D-21115-15	D-21125-15
16	Diaphragm lower seat		D-21115-16	D-21115-16	D-21125-16
17	Diaphragm upper seat		D-21115-17	D-21115-17	D-21125-17
19	Join nut		D-21115-19	D-21115-19	D-21125-19
20	Orifice plug		D-21115-20	D-21115-20	D-21125-20
21	Lift gauge ring		D-21115-21	D-21115-21	D-21125-21
22	Lift gauge plate		D-21115-22	D-21115-22	D-21125-22

No.	Name	Valve	DC-1222-15D*	DC-1222-20D*	DC-1222-25D*
23	Set nut (left)		D-21115-23	D-21115-23	D-21125-23
24	Set nut (right)		D-21115-24	D-21115-24	D-21125-24
25	Nut		D-21115-25	D-21115-25	D-21125-25
26	Spring lock washer		D-21115-26	D-21115-26	D-21125-26
27	Socket cap screw (6)		D-21115-27	D-21115-27	D-21125-27
28	Hexagon head screw (12)		D-21115-28	D-21115-28	D-21125-28
29	Nut (12)		D-21115-29	D-21115-29	D-21125-29
30	Socket cap screw		D-21115-30	D-21115-30	D-21125-30
31	Socket cap screw (2)		D-21115-31	D-21115-31	D-21125-31
32	Spring lock washer (2)		D-21115-32	D-21115-32	D-21125-32
33	Socket cap screw (2)		D-21115-33	D-21115-33	D-21125-33
34	Spring lock washer (2)		D-21115-34	D-21115-34	D-21125-34
36	Driving screw (2)		D-21115-36	D-21115-36	D-21125-36
37	Packing spring		D-21115-37	D-21115-37	D-21125-37
38	Spring		D-21115-38	D-21115-38	D-21125-38
39	Gland packing		D-21115-39	D-21115-39	D-21125-39
40	Diaphragm		D-21115-40	D-21115-40	D-21125-40
41	Dust seal		D-21115-41	D-21115-41	D-21125-41
42	Gasket		D-21115-42	D-21115-42	D-21125-42
43	Plug		D-22115-43	D-22115-43	D-22125-43

# please complete: A = ANSI flange, D = DIN flange, J = JIS flange  
\* please complete: N = NPT thread, P = PT thread, B = BSPT thread

Order Code

DC-12 \*\* - \* \* \* \* \*

Series

Version

2 2/2-way

Function

1 Normally closed (NC)  
2 Normally open (NO)

Connection

1 Thread  
2 Flange

Nominal size / thread

15 15 mm 1/2"  
20 20 mm 3/4"  
25 25 mm 1"  
32 32 mm 1 1/4"  
40 40 mm 1 1/2"

Cv-value (only at nominal size 15 and 20)

**Cv = 6**

3 Cv = 3  
1 Cv = 1

Special options

Y Flange stainless steel

Pilot port thread (flange version only)

**N NPT thread**  
B BSPT thread  
P PT thread

Type of thread / flange

**N NPT thread**  
B BSPT thread  
P PT thread  
**A ANSI flange**  
D DIN flange  
J JIS flange

3

Not all combinations are possible and available.